

Inkjet Pressure Transmitter XY-PTB

Typical Feature

- Stainless-steel pressure connection joint
- Excellent corrosion resistance of ink
- Small size and easy setup, less than 50mm length
- Compound pressure range is optional, such as -100KPa ~ 3MPa
- Offer customized application



Brief Introduction




XY-PTB Pressure Transmitter is an Inkjet Pressure Sensor, especially designed for inkjet printer, used ink corrosion resistant pressure diaphragm and packaging technology, the excellent circuit included intelligent chip, so that the sensor has a high accuracy and reliability, Xuyan has excellent consistency and mass production capacity, basing on our advanced pressure sensor mass production technology.

XY-PTB Pressure Transmitter is an Inkjet Pressure Sensor, specially designed for inkjet printer, which uses ink corrosion resistant pressure diaphragm and packaging technology and excellent circuit included intelligent chip, so the sensor has high accuracy and reliability. XUYAN has excellent consistency and mass production capacity, based on our advanced pressure sensor mass production technology.

XY-PTB Inkjet Pressure Sensor is designed to suit the ink solvent in the printer and organic solution print working condition. Miniaturization, quick installation and anti-corrosion treatment, these excellent performances make it can work well in ink solvent working condition. Standard Electrical Signal output 4-20mV by 2-Wire cable; Measurement Range 0~1MPa and 0~1.6 MPa are standard type with stock, other customized measurement range is available; Thoughtful specialized electric circuit design, accuracy 0.2% FS, 0.5% FS, 1.0 % FS; Long-Term Stability $\pm 0.25\%FSO/Year$.

The Digital Pressure Transmitters is powered 9 ~ 32VDC(Typical 24VDC). Machinal joint include thread, flush diaphragm, clamp, flange, radiator and differential two-way fitting.

Suggested Applications

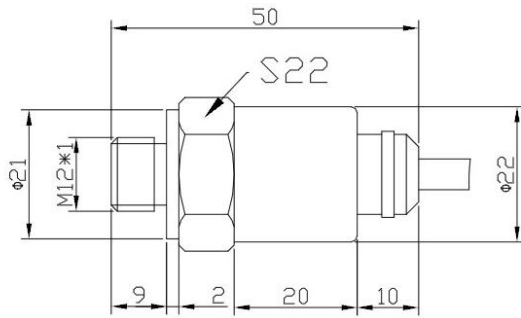
-  Inkjet printer
-  Inkjet system
-  ODM Applications

More details for XY-PTB, please contact us.

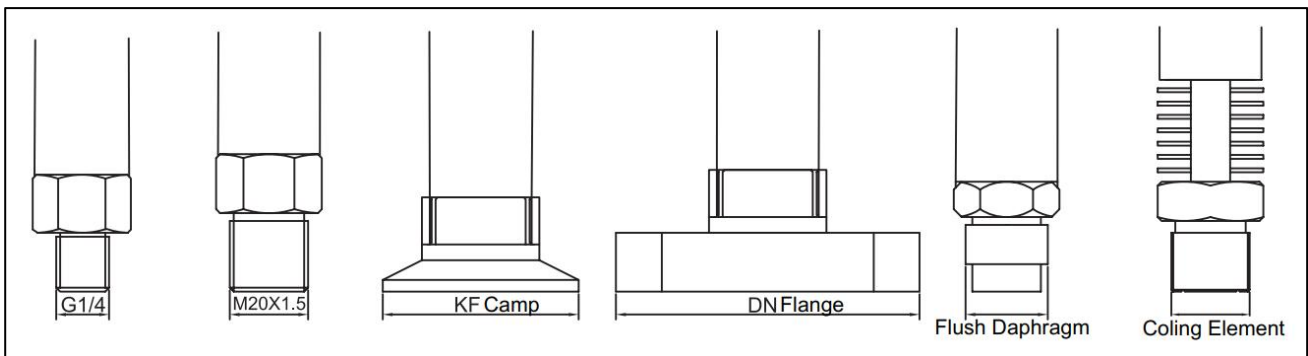
Specification

The function and connector joint are customized by requirements.

Dimension(mm)



Mechanical Connection(mm)



How To Order

XY-	PG	280	E	P	60M	I	P2	J	M3	B1	T1	L													
Category	Type	Setup	Pressure Connection	Pressure Range	Accuracy	Power	Output	Thread	Electrical Connection	Medium Temperature	Additional														
PG	Pressure Gauge	200	High Accuracy	E	Lower Mount	None	General Thread	XX	(0-XXPa)	1	0.40%	P0	Battery	R	RS485	M1	M20*1.5	B	Cable Outlet	T1	-5~40°C	LC	LCD Display		
		210	High Accuracy Pressure&Temperature	Z	Panel Mount	P	Diaphragm Seals	XB	(0-XXBar)	2	0.20%	P2	24V	A	4-20mA	M2	G1/4	C	Circular Connector	T2	-20~80°C	LE	LED Display		
		270	Explosion-Proof	G	Wireless	DP	Differential Pressure	XM	(0-XXMPa)	3	0.10%	P4	1220V	J1	Relay	M3	G1/2	CC	Customized	T9	Customized	I	Explosion-Proof		
		280	80mm Dial Size LCD Display	F	Peak Record	KF	Clamp	CC	Customized	4	0.50%	P5	380V	J2	Dual Relay	M4	1/2NPT								
		260	60mm Dial Size	V	Vacuum Switch	DN	Flange			5	0.25%	P6	12V	CC	Customized	M5	1/4NPT								
		300	100mm Dial Size	W	Water Pump Switch	9999	Customized			9	Customized	P9	Customized			M7	ZG1/4								
		380	80mm Dial Size LED Display													M9	Customized								
		560	Digital Remote-transmission																						
		625	Contact 60mm Dial Size																						
		825	Contact 80mm Dial Size																						
925	Contact 90mm Dial Size																								
PS	Pressure Switch	628	60mm Dial Size																						
		828	80mm Dial Size																						
		928	100mm Dial Size																						
		650	Switch Box with Plastic Shell																						
PC	Pressure Control	600	60mm Dial Size																						
		800	80mm Dial Size																						
		900	100mm Dial Size																						

Remark: 1. This form is for whole Pressure Measurement and Pressure Control products, please read Product Date Sheet to get reference informations
2. If you may not find right information in this form, Please contact us to get future details

Shanghai Xuan Precision Technology Co., Ltd.

Address: No. 969, Yunshan Road Pudong District Shanghai City China

Tel: +86 21 59241315

Email: sales@xvyanprecision.com

Website: www.xvyanprecision.com

Product Manager: Tyler Tou

Cell: +86 189 1797 0680

Email: ttao@Xuyanpercision.com