

## Mechanical Pressure Switches XY-PS700

### Typical Feature

- Compact size, Adjustable Alarm Point
- Setting range 0.2~600Bar, Maximum over press 1230Bar
- Accuracy level 0.2%FS
- Optional Stainless steel, Brass and galvanized material
- High impact resistance and High repeatability








### Brief Introduction

XY-PS700 Mechanical Pressure switch, work only by mechanical deformation, No power supply needed for switching of electrical loads, when the force impact on the pressure-sensitive components to make mechanical deformation, the pressure switch will move up through the mechanical structure such as balustrade spring and finally trigger the micro switch at the top, then output electrical signals.

XY-PS700 series mechanical pressure switch has stainless steel shell and pressure sensitive diaphragm, it is used easily, stable working, and with long mechanical life, about 1 Million cycle service life

The control point can preset before delivery or set up on site by accessory kit, they are wield used in kinds of industries, especially for automatic equipment and mining machinery and others application of machinery pressure control and protection.

### Suggested Applications

-  Hydraulic and Pneumatic System
-  Fire Control
-  Electromechanical Equipment Automation
-  Automated Machinery
-  Customized Applications

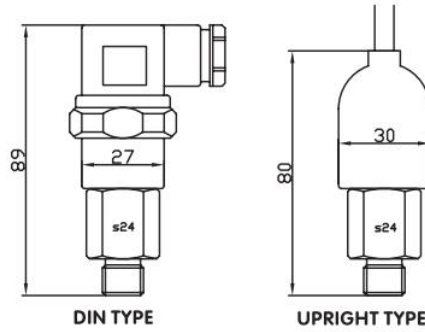
**More details for XY-PS700, please contact us.**

### Specification

Model	XY-PS700
Gauge Pressure Range	0.2...1...10...25...50Bar...300Bar(Maximum) 10...100...200...400Bar...600Bar(Maximum)
Overload Capacity	>300 Bar (Preset Pressure Range 0.2~50Bar); >600 Bar (Preset Pressure Range 50~400Bar);
Measurement Medium	Gas or oil or other Liquid without corrosivity
Accuracy Level	0.2%FS;
Long-Term Stability/Year	Typical: $\pm 0.2\%$ FS;
Hysteresis	Rough 10%~15% by Type
Maximum Stroke	90times/Second
Electric contact point material	Silver plating
Relay Capacity	220VAC 3A; 125VDC 5A

Operating Temperature	-20~85°C
Joint Material	Stainless steel, Copper, zinc plating steel
IP Protection Class	IP65

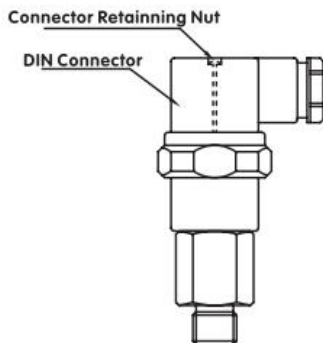
Dimension(mm)



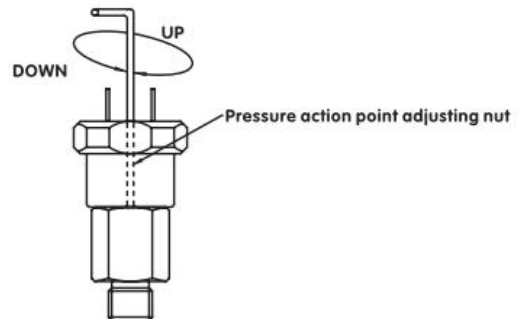
Selectable Table

	Mode	Max Pressure (bar)	Setting Range (bar)	Acc.	Fixed Hysteresis	Weight (kg)
Mebrane	S700-02.5	300	0.2...2.5	2% Set Value	10%...20% set value	0.1
	S700-005	300	0.8...5.0			
	S700-012	300	1...12			
	S700-050	300	5...50			
Piston	S700-100	600	10...100			0.1
	S700-200	600	20...200			
	S700-400	600	50...400			

- Notice:**1, You need to mark the screw before you order  
 2, The upright type has settled set point without adjusting.  
 3, You need to mark if you need explosion-proof.



First step: Use screwdriver to handle with DIN connector fixed screw and take down it



Second step: Refer to the picture, and use hexagon wrench to adjust the pressure action point. Clockwise rotation to increase, contrarotate to decrease.

## How To Order

XY-	PG	ZB0	E	P	60M	I	P2	J	M3	B1	T1	L	
	Category	Type	Setup	Pressure Connection	Pressure Range	Accuracy	Power	Output	Thread	Electrical Connection	Medium Temperature	Additional	
FG	Pressure Gauge	200 High Accuracy	E Lower Mount	None General Thread	JX (0-2KPa)	1 0.4%	P0 Battery	R RS485	M1 M20*1.5	B Cable Outlet	T1 -5~40°C	LG LED Display	
		210 High Accuracy Pressure&Temperature	Z Panel Mount	P Diaphragm Seals	XB (0-2Bar)	2 0.20%	P2 24V	A 4-20mA	M2 G1/4	C Circular Connector	T2 -20~80°C	LF LED Display	
		270 Explosion-Proof	G Wireless	DP Differential Pressure	DM (0-2MPa)	3 0.10%	P4 220V	I1 Relay	M3 G1/2	CC Customized	T9 Customized	I1 Explosion-Proof	
		280 80mm Dial Size LCD Display	F Peak Record	RF Clamp	OC Customized	4 0.50%	P5 380V	I2 Dual Relay	M4 1/2NPT				
		290 80mm Dial Size	V Vacuum Switch	DM Flange		5 0.25%	P8 12V	CC Customized	M5 1/4NPT				
		300 100mm Dial Size	W Water Pump Switch	9999 Customized		9 Customized	P9 Customized		M7 G1/4				
		380 80mm Dial Size LED Display											
		560 Digital Remote-transmission											
		605 Contact 60mm Dial Size											
		605 Contact 80mm Dial Size											
FS	Pressure Switch	608 60mm Dial Size											
		808 80mm Dial Size											
		928 100mm Dial Size											
		600 Switch Box with Plastic Shell											
		600 Switch Box with Full Metal Shell											
PC	Pressure Control	600 60mm Dial Size											
		800 80mm Dial Size											
		900 100mm Dial Size											

Remark: 1. This form is for whole Pressure Measurement and Pressure Control products, please read Product Data Sheet to get reference informations  
2. If you may not find right information in this form, Please contact us to get future details

## Shanghai XuYan Precision Technology Co., Ltd.

**Address:** No. 969, YunHan Road Pudong District Shanghai City China

**Tel:** +86 21 59241315

**Email:** sales@xvyanprecision.com

**Website:** [www.xvyanprecision.com](http://www.xvyanprecision.com)

**Product Manager:** Tyler Tou

**Cell:** +86 189 1797 0680

**Email:** ttao@Xuyanpercision.com